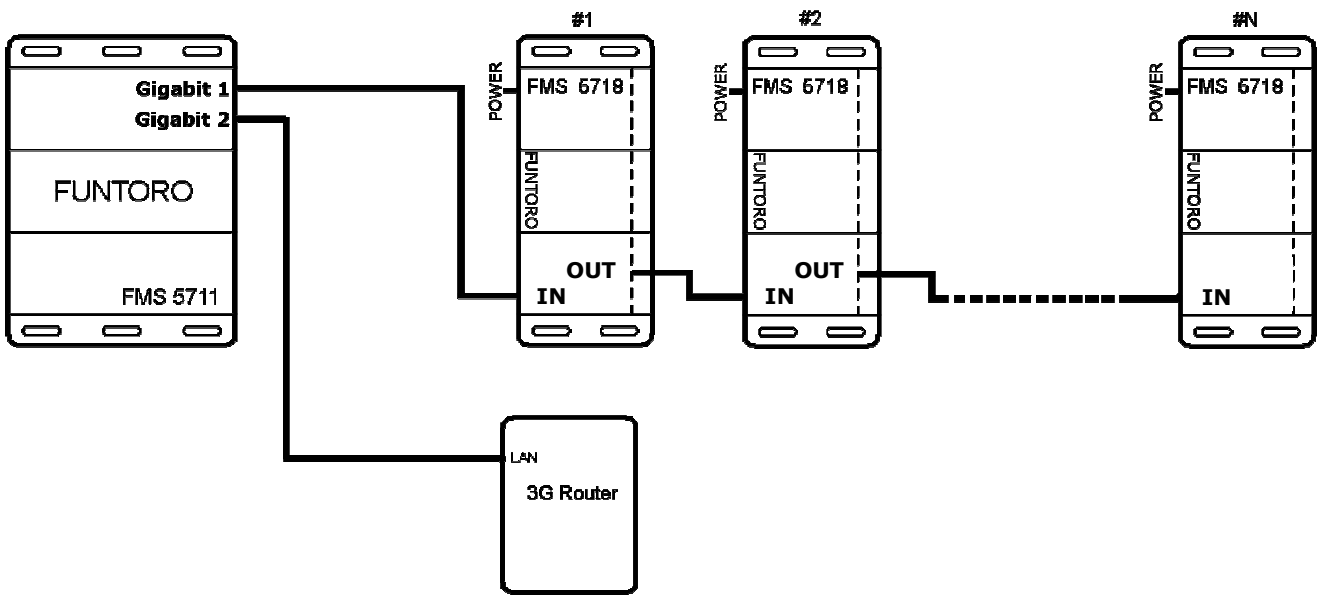


Port Gigalan 2 on the MOD server is primarily for the connection to the 3-G router; 3-G router is purpose is to enable remote diagnostics & monitoring of the system. The Gigalan network part is therefore designed as open end (and NOT closing the loop into the Gigalan 2). It is important to maintain the direction of the connections from hub to hub (hub-out to hub-in on the next hub). Daisy chained hubs must follow hub-out to hub-in pattern till the end of the chain. Hub-in is always on the same side, where are the 6 monitor ports of Megalan network. Hub-out port is on the opposite side from hub-in.



WIRING DIAGRAM

