

# USER MANUAL (Temporary)

Car Mirabox WM-02

# Content

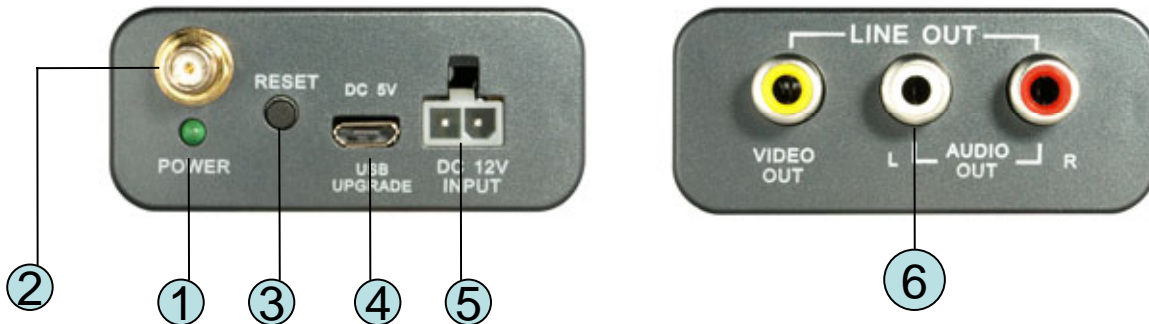
1. Introduction p.2
2. Function of Control p.3
3. Accessories p.4
4. Installation p.5
5. Technical Specification p.6
6. Car Mirabox Support Device p.7
7. Basic operation
  - 7.1 IOS Device p.8-9
  - 7.2 Android Device p.10-11
8. Important note p.12

# Introduction



Car Mirabox is a professional car standard Wi-Fi audio or video mirroring from smart phone to car multimedia unit. It is compatible for smart phone or tablet to car media player. Users can enjoy all applications & contents of smart phone ( for example: mapping, GPS, games, music listening and video watching) with easy connection.

# Function of Control



1. Power: Green light on when power on.
2. Antenna SMA Connector: Connect External Wi-Fi Antenna.
3. Reset
4. USB:
  - For DC 5V Input & Output 1000mA
  - OTG USB Function
5. DC 12V Input
6. RCA Out:
  - Yellow: Video
  - Red: Audio Right
  - White: Audio Left

# Accessories

Standard Accessories (For universal Car AV Input)



Car Mirabox



Wi-Fi Antenna



Cable for Power  
DC 12V

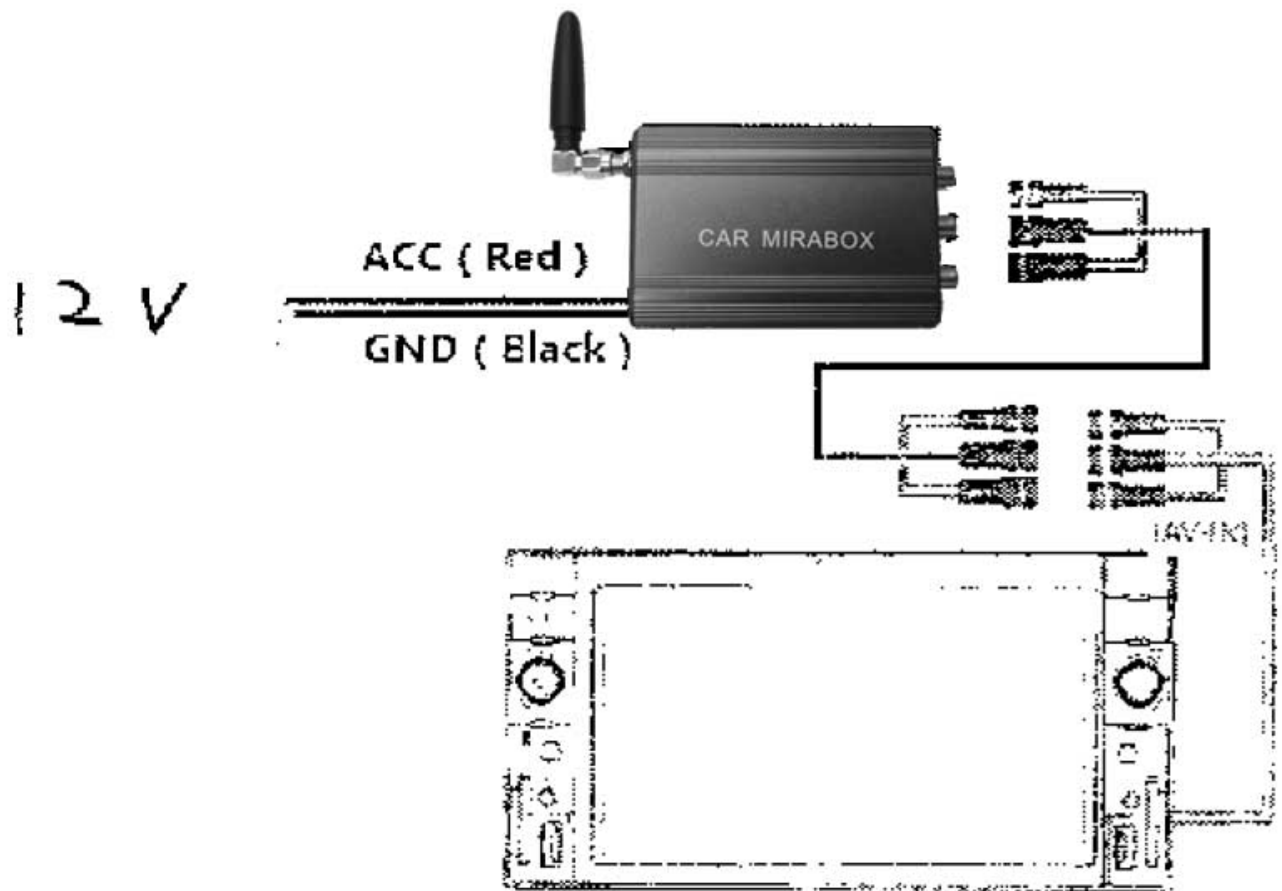


AV Cable



USB Cable (OTG)  
(Optional)

# Installation



# Technical Specification

Power Input	DC 12V
Power Consumption	Idle Status: 150mA Without Wi-Fi
	Working: 400mA with Wi-Fi
	IN & OUT : 1A DC 5V with USB port
Wi-Fi Standard	Wi-Fi 802.11.b/g/n
Input	Wi-Fi Airplay/ Miracast / Allsharecast
A/V Output	Car AV-IN (CVBS)
Temperature	-20°C – 70°C
Humidity	0 ~ 90%

# Car Mirabox Support Device

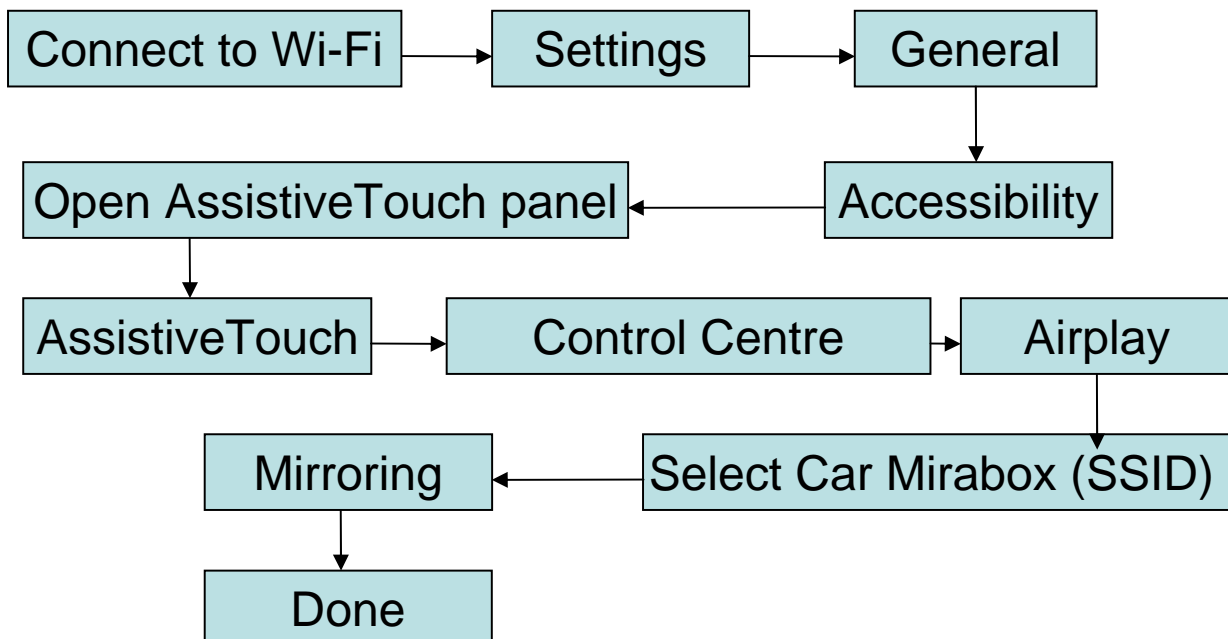
IOS 7 or later Device	Airplay mirroring, you need following devices:
	IPhone 4S or later
	IPAD 2 or later
	IPAD mini or later
	IPOD touch(5 <sup>th</sup> generation)
Android Device(v4.2 or later)	Android mode, Use Miracast/ Allsahrecast/ Screen mirroring devices)
	Samsung Note 2 later/ S3 later
	LG F180L, F200L
	HTC ONE X. Xiaomi 3
	Google Nexus 4
	Other Android device 4.2 or above System



# Basic operation

## IOS Device: Connecting to Car Mirabox

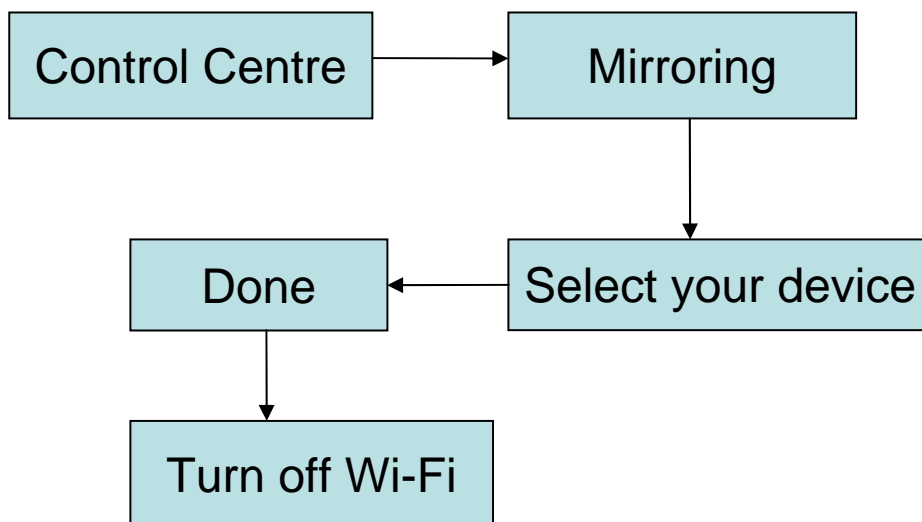
1. Turn on the Wi-Fi in Settings, then connect to the SSID shown on the monitor. (Password is shown on the screen)
2. Open the Control Centre
  - 1) Swipe up from the bottom of your screen or,
  - 2) Go to Setting, then General. Enable the AssistiveTouch under Accessibility. We can access Control Centre with AssistiveTouch.
3. Tap on Airplay. Ensure your device is connected to Car Mirabox.
4. Select the SSID of your Car Mirabox. Enable Mirroring function. It should takes few seconds to connect your device to the monitor.
5. The screen on your device is now mirrored to the monitor.



# Basic operation

IOS Device: Disconnect from Car Mirabox

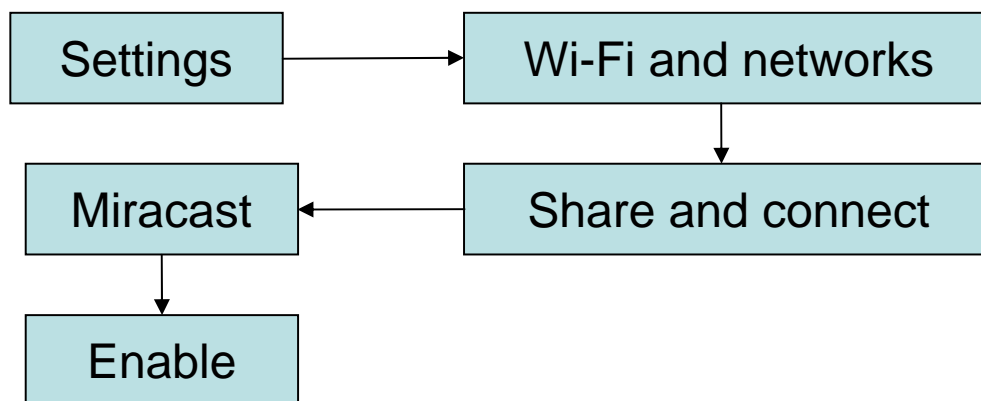
1. Open the Control Centre.
2. Disable Mirroring.
3. Select your own device.
4. Turn off the Wi-Fi.



# Basic operation

## Android Device: Connecting to Car Mirabox

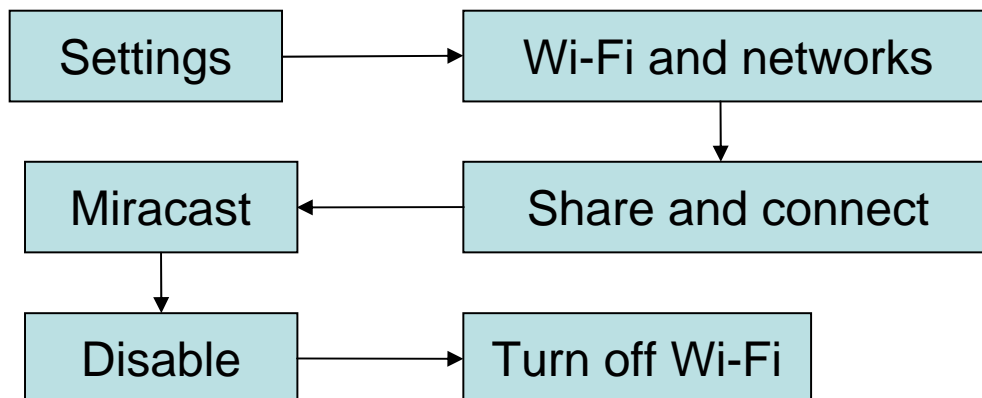
1. Locate the screen mirroring setting on your phone
  - 1) Go to “Wi-Fi and networks’ under settings. Find the category “connectivity” and enter “share and connect. Then you can find Miracast Or,
  - 2) Go to “Wi-Fi and networks’ under settings. Select more and find Wi-Fi display.
2. Enable Miracast/ Wi-Fi display function.
3. Your phone will then list available devices, select your Miracast name to connect. This should take about few seconds.



# Basic operation

**Android Device:** Disconnect from Car Mirabox

1. Disable Miracast/ Wi-Fi display function
2. Turn off the Wi-Fi.



# Important notes

- Use mirroring function of Car Mirabox, it only requires a direct Wi-Fi network connection from your smartphone to multimedia.
- If the Screen of monitor is time out, please affirm connection to your device “Mirror”. Connect it again.
- You can press the “RESET” button, restart the Car Mirabox after baffling problems.
- Do not put this product on a heater or expose in the sunshine.
- Do not impact, extrusion, dismantle or impale, this product.
- Do not put this product into water, fire or the caustic fluid.

**Remarks : Specification and features are subject to change without prior notice**