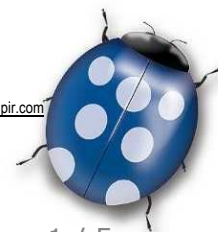


**Roof 19" motorized monitor
TFT LCD; big base;
polycarbonate; 11~30V DC;
400cd; 1x AV In; VGA; HDMI;
contrast 800:1 + remote control**



Power supply of the device:



Red cable: permanent plus pole



Yellow cable: Trigger plus pole of the device – optional



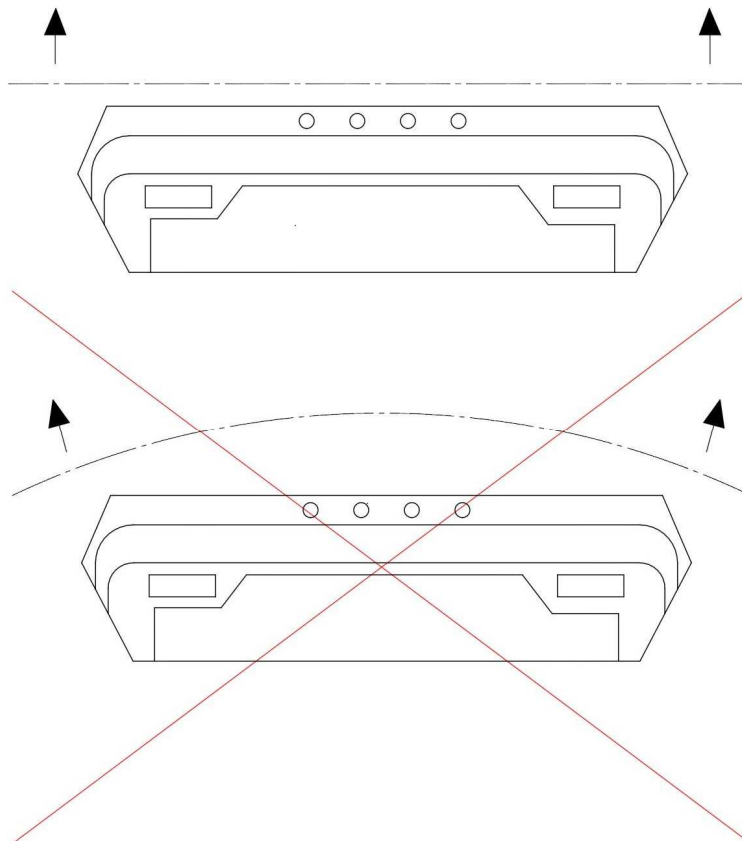
Black cable: permanent minus pole

Input connectors: VGA
HDMI
CINCH

Installation of the device:



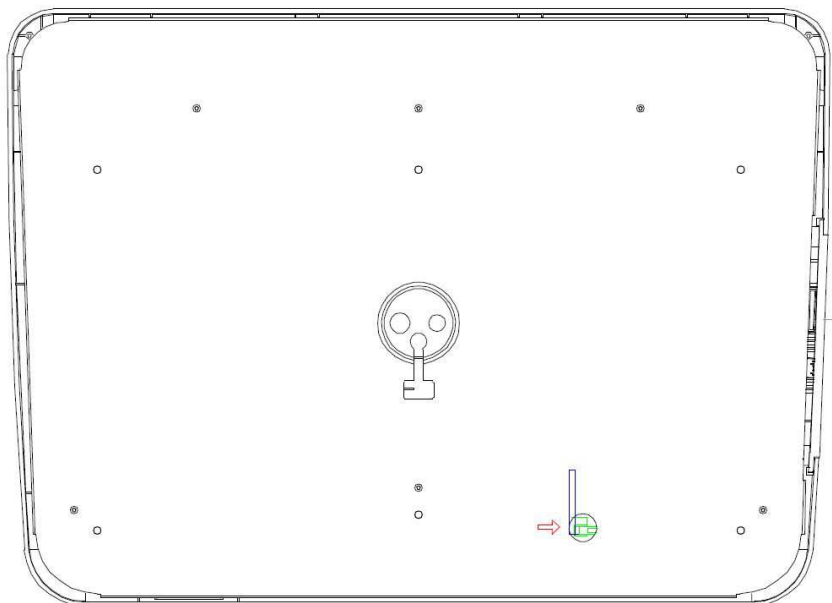
Attach the device using six screws into prepared holes. Display has to be opened. After the installation, the device cannot be deformed. Fasten the device to flat surface, unevenness and bends are not permitted (*drawing 1*). If the device is mounted on the uneven surface it causes its damage (crossing), which subsequently causes the problem when opening and closing the display.



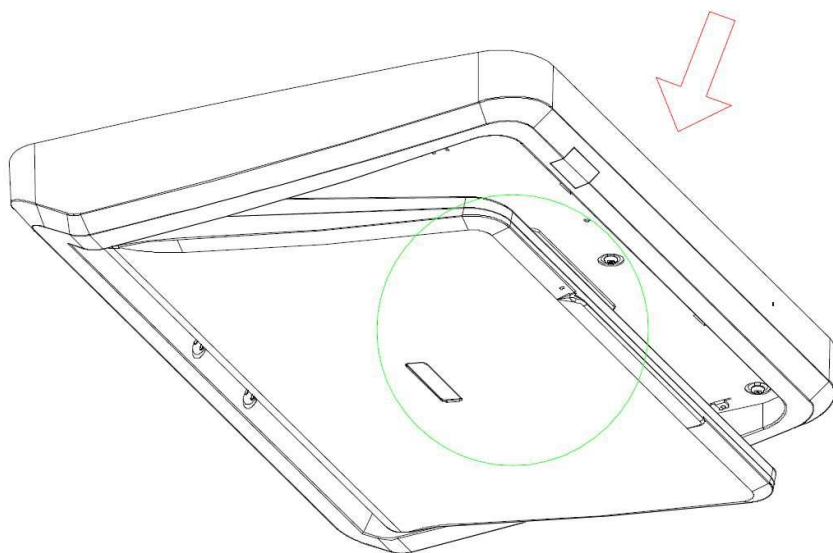
drawing 1:



Installation process:

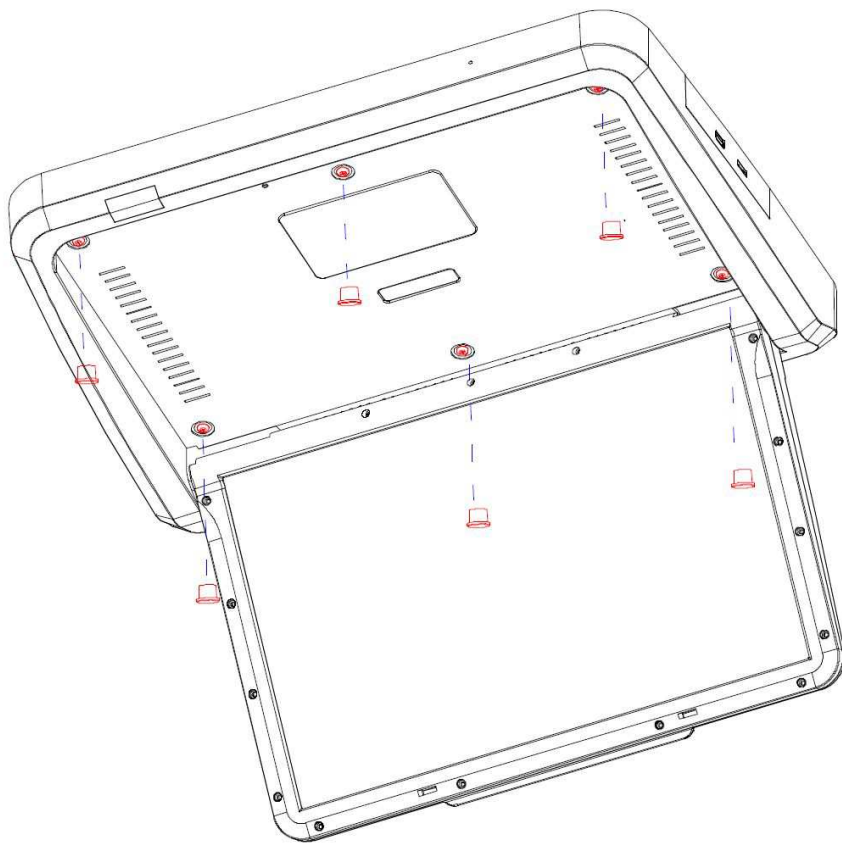


1. Slide the lock to the left to open the device.

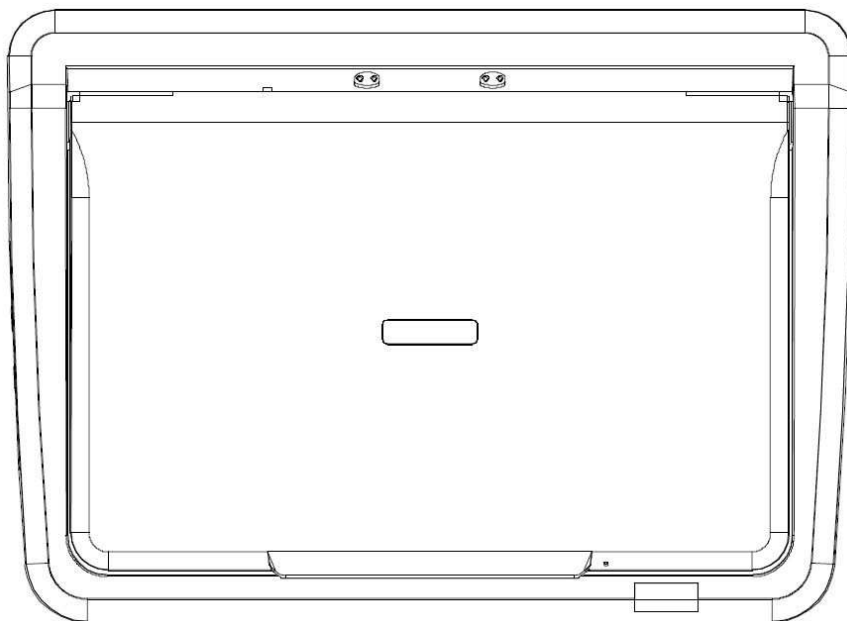


2. At the same time open the LCD display in the direction of the arrow.





5. Fixed screws should be covered by blinding plugs.



6. After fixing the device, check if the device is attached properly in horizontal position.

