

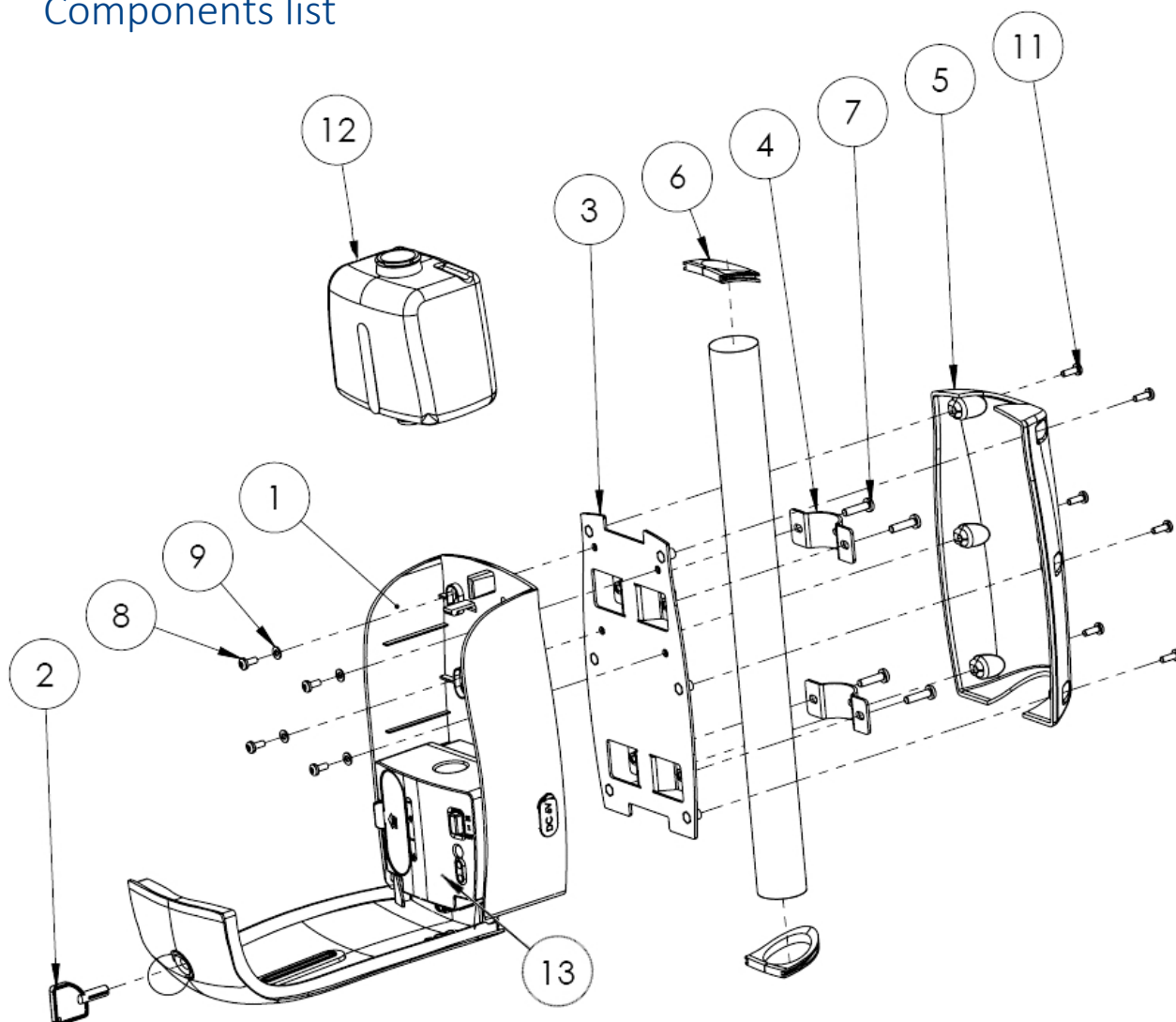
Disinfectant dispenser; non-contact; spray; for the pole with diameter 34 mm

Ordering code: DD-MOL-006



Thank You for purchasing our product. Read this Installation manual carefully before the installation of the product.

Components list



Pos.	Item description	Ordering code	Pcs
①	Disinfectant dispenser; non-contact; 600 ml; spray; white	DD-MOL-000	1
②	Disinfectant dispenser key	DD-MOL-302	1
③	Bracket plate of disinfectant dispenser for the pole with 34 mm diameter	0811377-M	1
④	Bracket for the pole with 34 mm diameter	0811380-M	2
⑤	Rear cover of the dispenser for the pole diameter 30/34/ 35mm	068754-M	1
⑥	Gasket for the rear cover of the dispenser for the pole diameter 34 mm	0690030-34	2
⑦	Screw M5x20 mm with round head Torx 25	105BN6404M5x20	4
⑧	Screw M4x10 mm with round head Torx 20	104BN6404M4x10	4
⑨	Washer D4,3 mm x D12 mm x H1,6 mm	104BN733D4	4
⑪	Screw M4x10mm with round head Torx 20	104BN6404M4x10	6
⑫	Disinfectant tank	ND-DD-MOL-000.1	1
⑬	Control unit of the dispenser	ND-DD-MOL-000.2	1

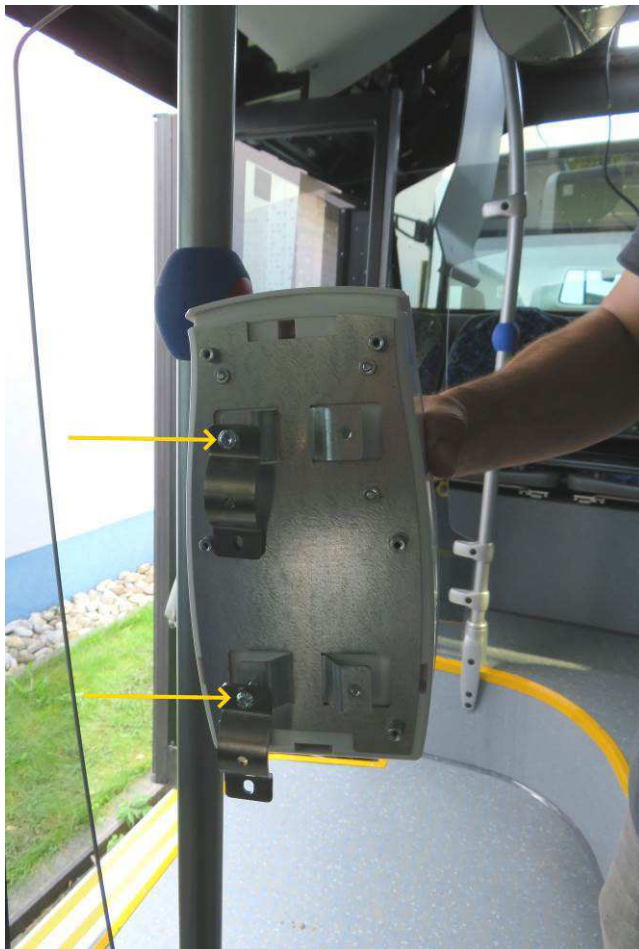
Note: The dispenser ① has already mounted the bracket ③ on its back.

Tools necessary for the installation

- screwdriver Torx 20
- screwdriver Torx 25
- scissors

Installation procedure

Mount the brackets (4) with the screws (7).



Place the dispenser on proper place.



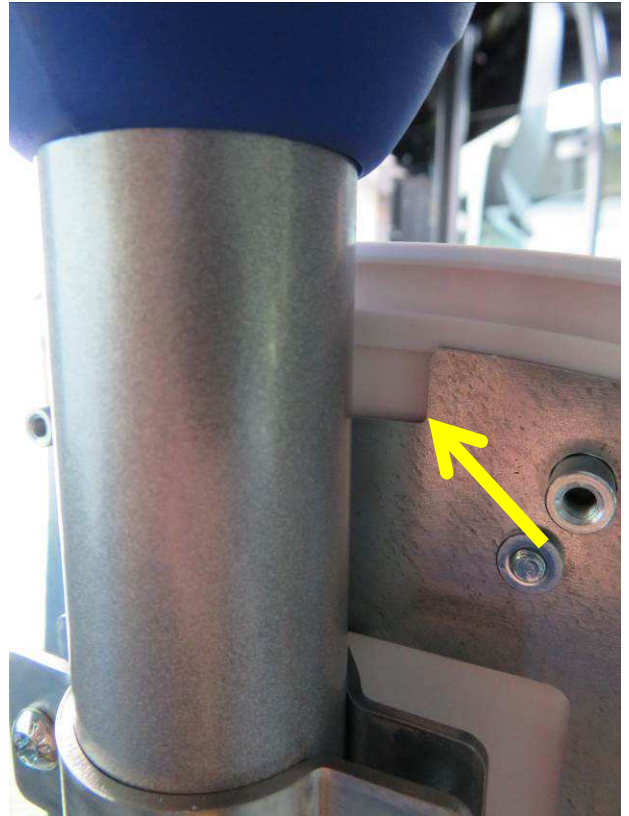
Mount the second screws onto brackets ⑦ and tight them evenly to assure the same gaps between the main bracket plate ③ and the brackets ④.



Cut the gaskets ⑥ at the indicated place on the gasket so that they can be fitted to the pole.



Place the gaskets (6) on the pole (2 pcs) on the upper and bottom side of the dispenser so that the gaskets fit exactly into the slots in the metal holder of the dispenser (3).



Place the rear cover of the dispenser (5) - first the lower side and then the upper side and check that the rear cover fits exactly into the grooves of the gaskets.



Use 6 screws ⑪ to firmly attach the back cover to the dispenser body.



Preparation for operation

Use the key ② and open the front cover of the dispenser.



Inserting batteries

Open the battery cover by pushing the latch in the direction of the arrow and then remove the battery cover.



Insert 4 pcs new AA alkaline batteries so that the polarity of the inserted batteries matches the polarity markings on the dispenser control unit body.



Replace the battery cover and secure the cover latch.

Pouring disinfectant

Remove the cap of disinfectant tank and fill the reservoir with a suitable disinfectant. Then close the tank with the cap. Use a funnel for filling to prevent the disinfectant from spilling!

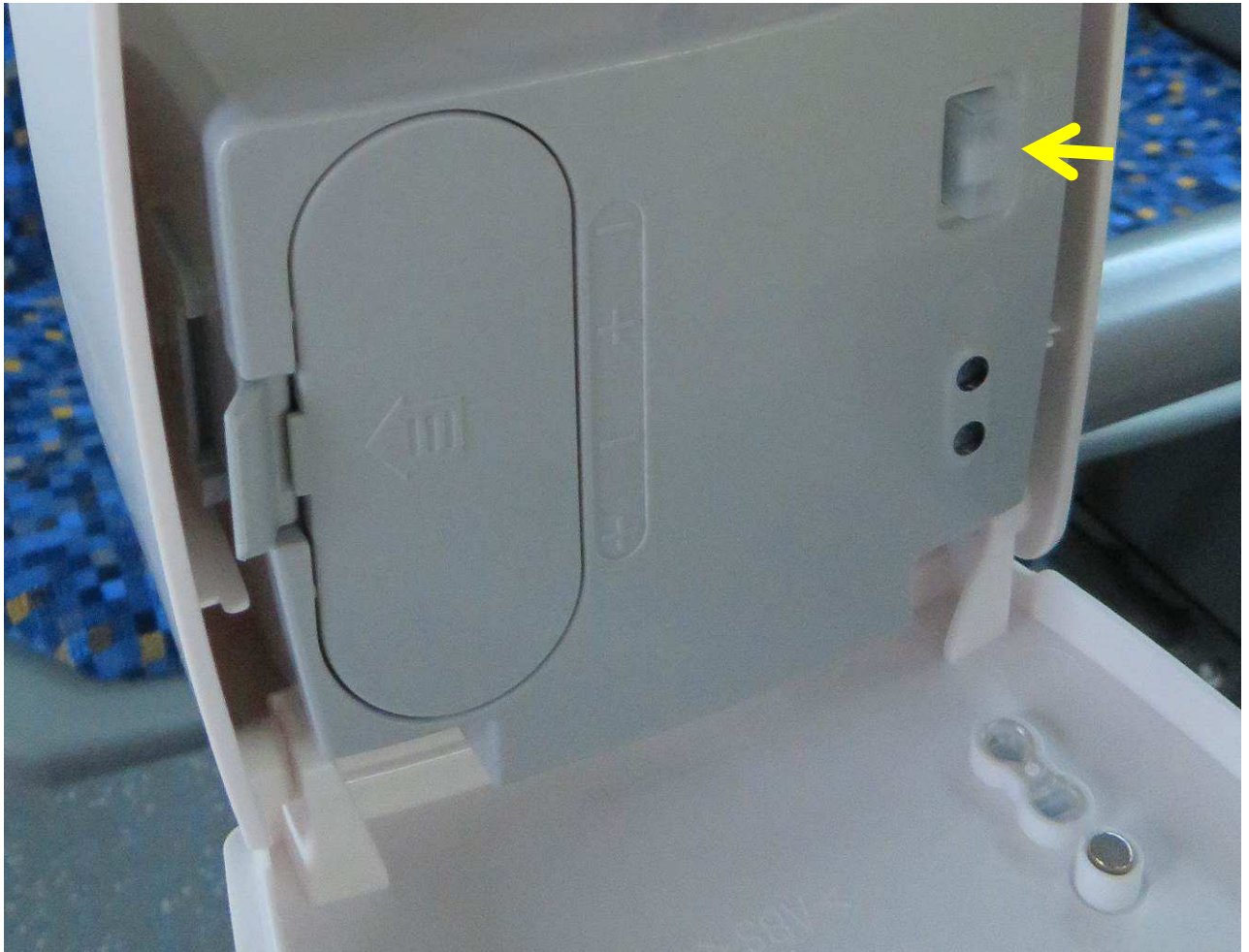
Do not overfill the tank! The volume of the tank is 600 ml.

Recommended disinfectant may contain max. 75% alcohol.



Dose volume setting

Switch the main switch to position I or II to select the volume of each dose (position I is 0.5 ml; position II is 1.0 ml) and then close the front cover of the dispenser. This sets the dispenser to energy saving mode and it "waits" for the hands to approach the detection space under the dispenser nozzle.



Make several "sprays" by repeatedly placing your hands under the dispenser to expel air from the disinfectant transport tubes in the dispenser control unit.

After closing the front cover and removing the key, the dispenser is ready for normal use.